



PATIO COVER

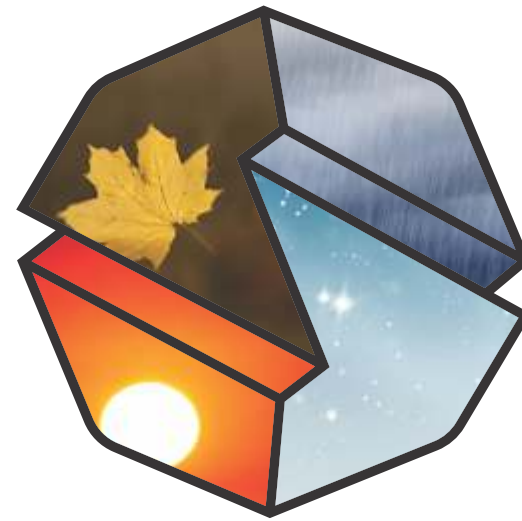
Horizontal Sloped roof attached to the existing wall to cover patios, decks, terraces, driveways and any other outdoor spaces.
Maximum Projection without additional steel support - 16'



PANORA

Minimally sloped Sunroom system with boxy look

- Perfect complement to flat roof buildings
- Maximum dimensions: 13' x 19'
- Attached to a wall or free-standing
- Profile embedded or track system lighting available.
- Tempered or Tempered and Insulated glass options
- Solid, Clear and Frosted Polycarbonate options



All Seasons



Resists bad weather



Fire retardant



Partial blackout



Dimmable LED lights



Remote controlled



Custom finishes



Built to last

ULTIMATE OUTDOOR SOLUTIONS

We are manufacturer of outdoor enclosure systems made of glass and Aluminum which can increase the value of property by increasing the living space square-footage without any major construction.



DYNAMIC

Retractable motorized glass roof; our high-end glass enclosure.

- Retractable roof panels
- Remote controlled operation
- Maximum Projection: 16 Feet (Without additional steel support structure)
- Available profile-embedded or track system lighting



GRANDE / ASSEMBLED IN THE USA

Designed to produce suitable architectural solutions and transparent enclosures

- Maximum Projection: 16 Feet (Without additional steel support structure)
- Profile embedded or track system lighting is available.
- Tempered and insulated glass
- Clear and frosted multiwall polycarbonate



URBAN / ASSEMBLED IN THE USA

Economic solution with modern look.

- Maximum Projection: 11 Feet (Without additional steel support structure)
- Tempered glass
- Solid polycarbonate
- Clear and frosted multiwall polycarbonate



BIFOLD DOORS

The bifold system enables you to fully open the walls of your sunroom and remove all obstacles between you and nature.



LIFT & SLIDE DOORS

With THERMAL BREAK system Lift and Slide doors provide heavy protection against any weather conditions. Extra insulation system makes sunroom useful in the harshest winter.



GUILLOTINE COMPACT

ASSEMBLED IN THE USA
Motorized, Remote Controlled, Vertical sliding insulated glass panel wall/sash window that becomes glass railing when fully open (when panels stacked downwards).



SLIDE DOOR WD240

ASSEMBLED IN THE USA
4 rail track system with insulated glass panels for better temperature control. Featuring ease of slide and lock, aesthetically pleasing look thanks to low profile framing.

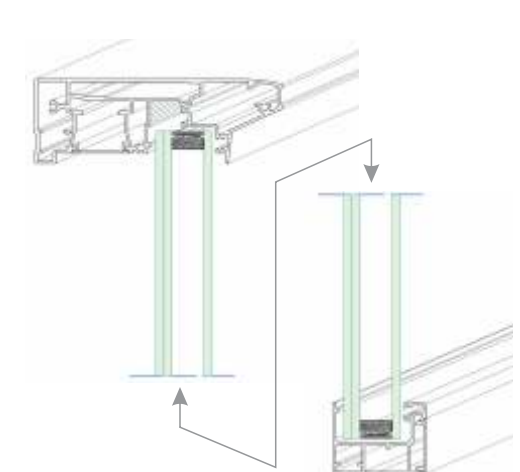


SLIDE DOOR WS100

ASSEMBLED IN THE USA
5 rail track system allowing 5 glass panels stacked in space of 1 for maximum openness. Single layer tempered glass with thin framing for minimum obstruction of view.



GLASS RAILING & SLIDE DOOR



WHITE



ANTHRACITE



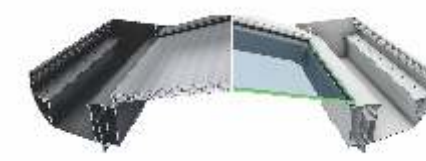
WHITE



ANTHRACITE



CATALOG COLOR



POLYCARBONATE / GLASS