



MOTORIZED SASH WINDOW SYSTEM
INSTALLATION MANUAL

M 1 9 1 0



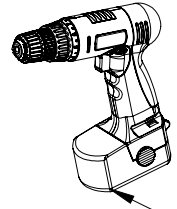


MOTORIZED SASH WINDOW SYSTEM
INSTALLATION MANUAL

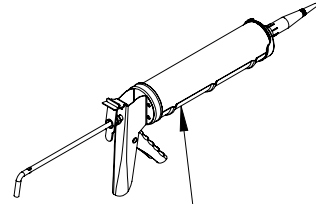
M 1 9 1 0

PARTS 1/2

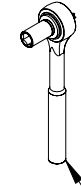
0- REQUIRED TOOLS



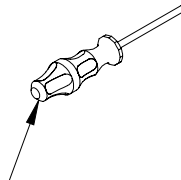
RECHARGEABLE DRILL



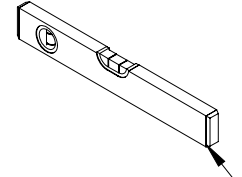
SILICONE-GUN



SOCKET-WRENCH



SCREW-DRIVER



SPIRIT-LEVEL

A1
×1
M1900-GP201-001



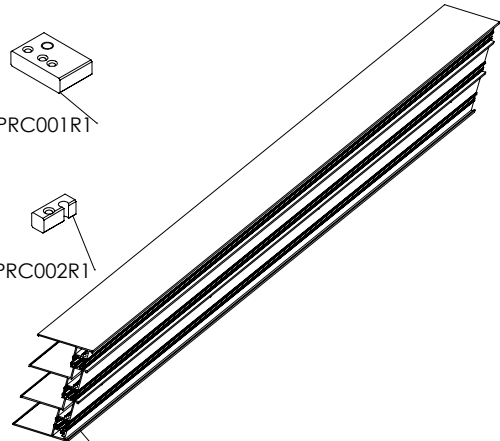
A2
×4
M1900-PRC001R1



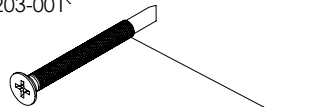
A3
×2
M1900-PRC002R1



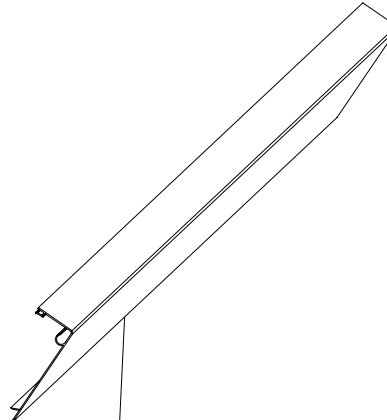
A4
×2
M1900-GP203-001



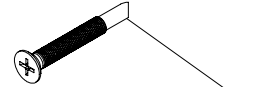
A5
×8
YHB MATKAP UÇLU VİDA-DIN7504-N ST4,8x50



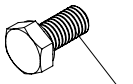
A6
×1
M1900-GP204-001



A7
×4
YHB-MU-VİDA-DIN7504-N ST4,8x38



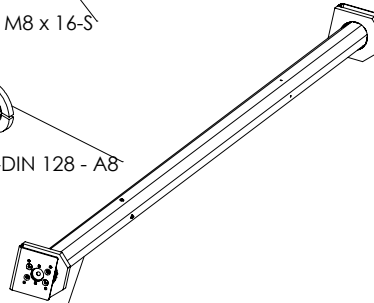
A8
×4
ISO 4017 - M8 x 16-S



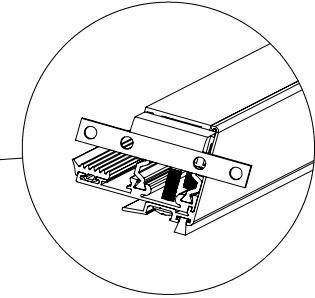
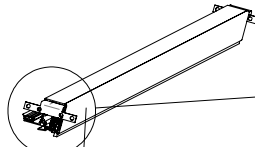
A9
×4
YAYLI PUL-DIN 128 - A8



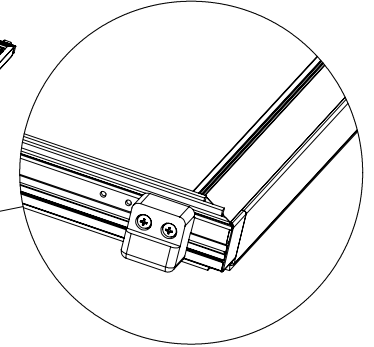
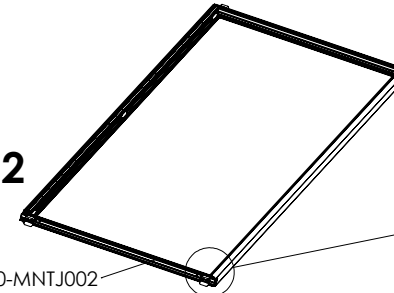
A10
×1
M1900-MNTJ004



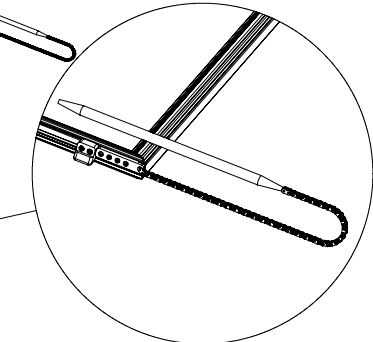
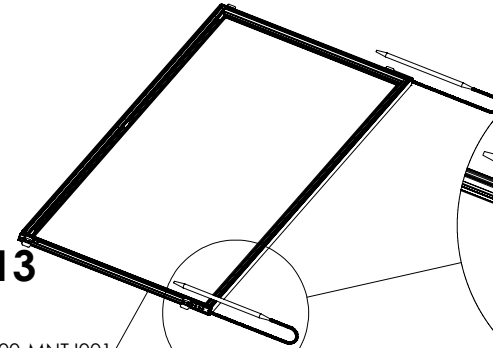
A11
×1
M1900-MNTJ003



A12
×1
M1900-MNTJ002

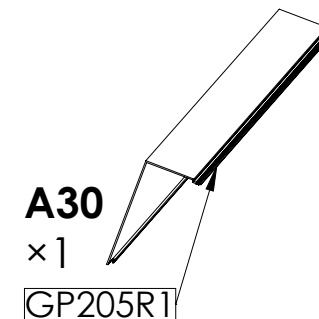
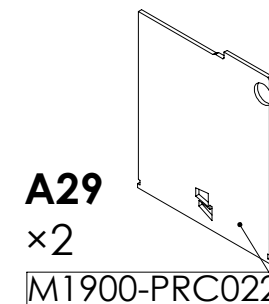
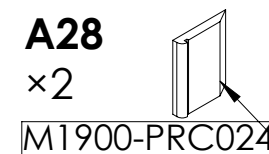
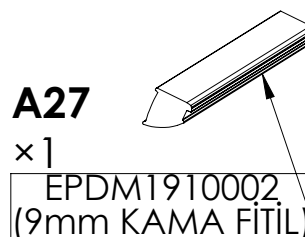
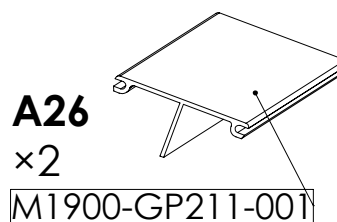
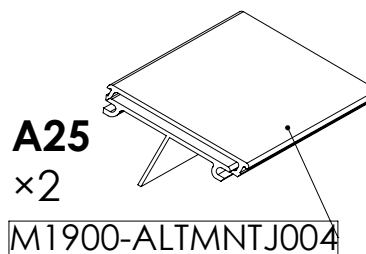
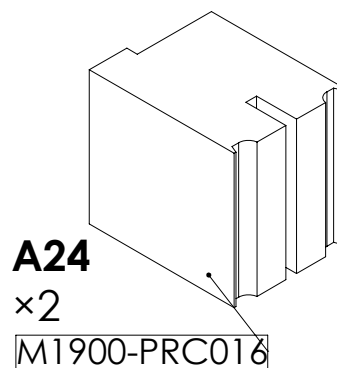
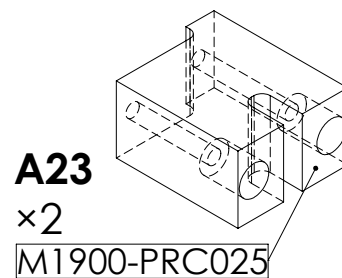
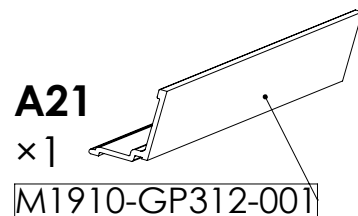
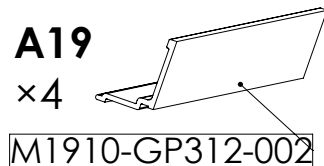
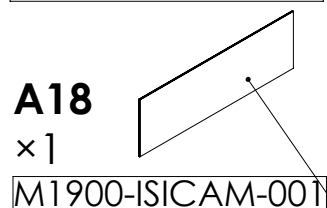
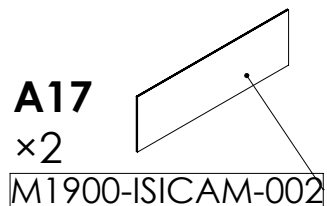
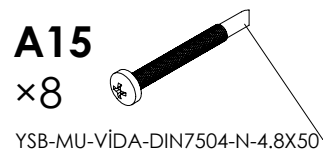
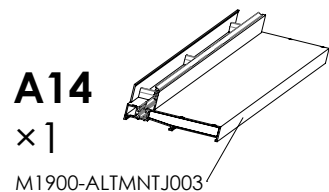


A13
×1
M1900-MNTJ001



M 1 9 1 0

PARTS 2/2





MOTORIZED SASH WINDOW SYSTEM
INSTALLATION MANUAL

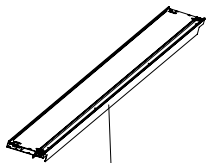
M 1 9 1 0

MNTJ005 A

A1

× 1

M1900-GP201-001



A2

× 4

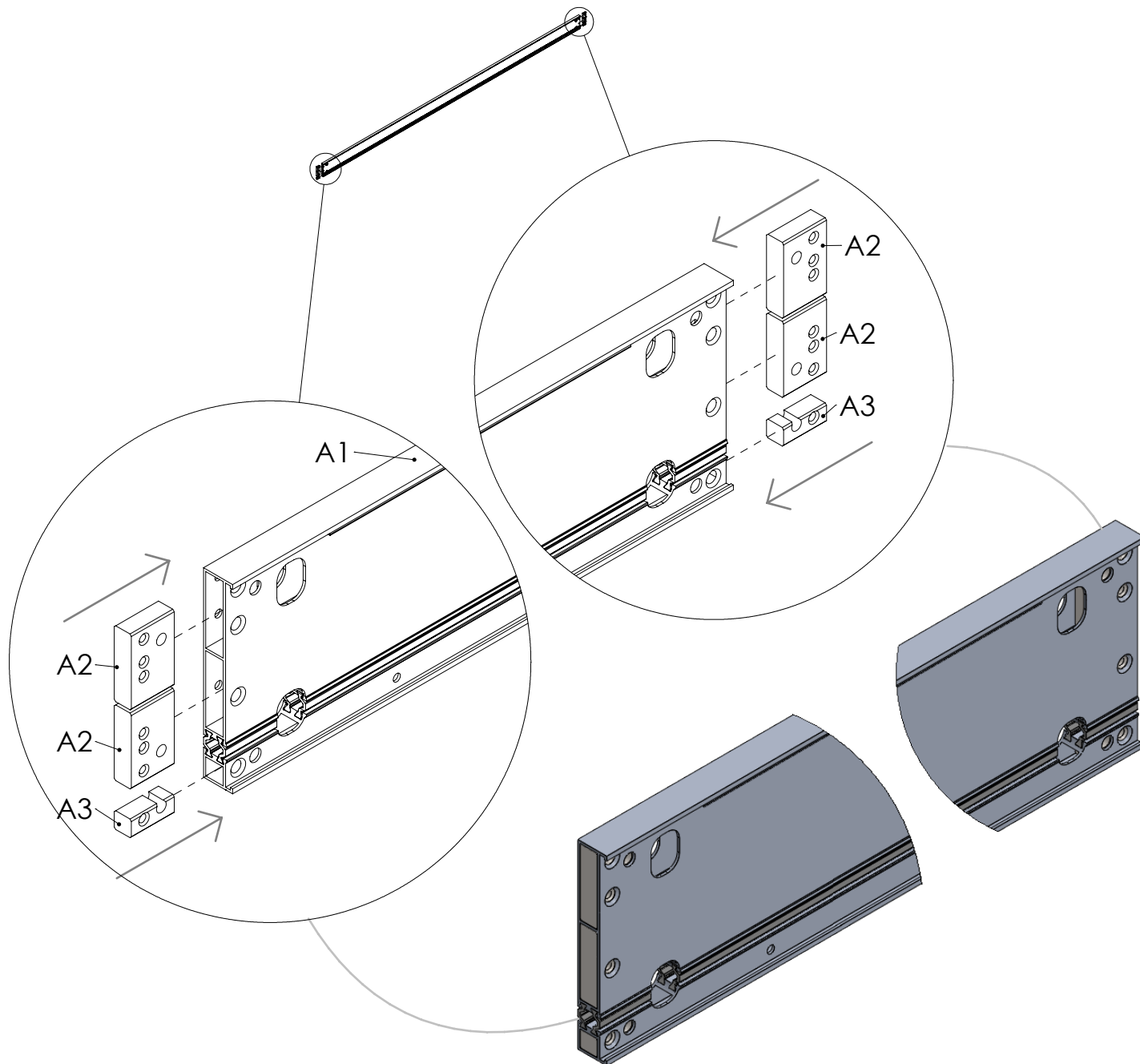
M1900-PRC001R1



A3

× 2

M1900-PRC002R1

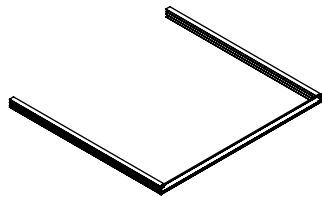




MOTORIZED SASH WINDOW SYSTEM
INSTALLATION MANUAL

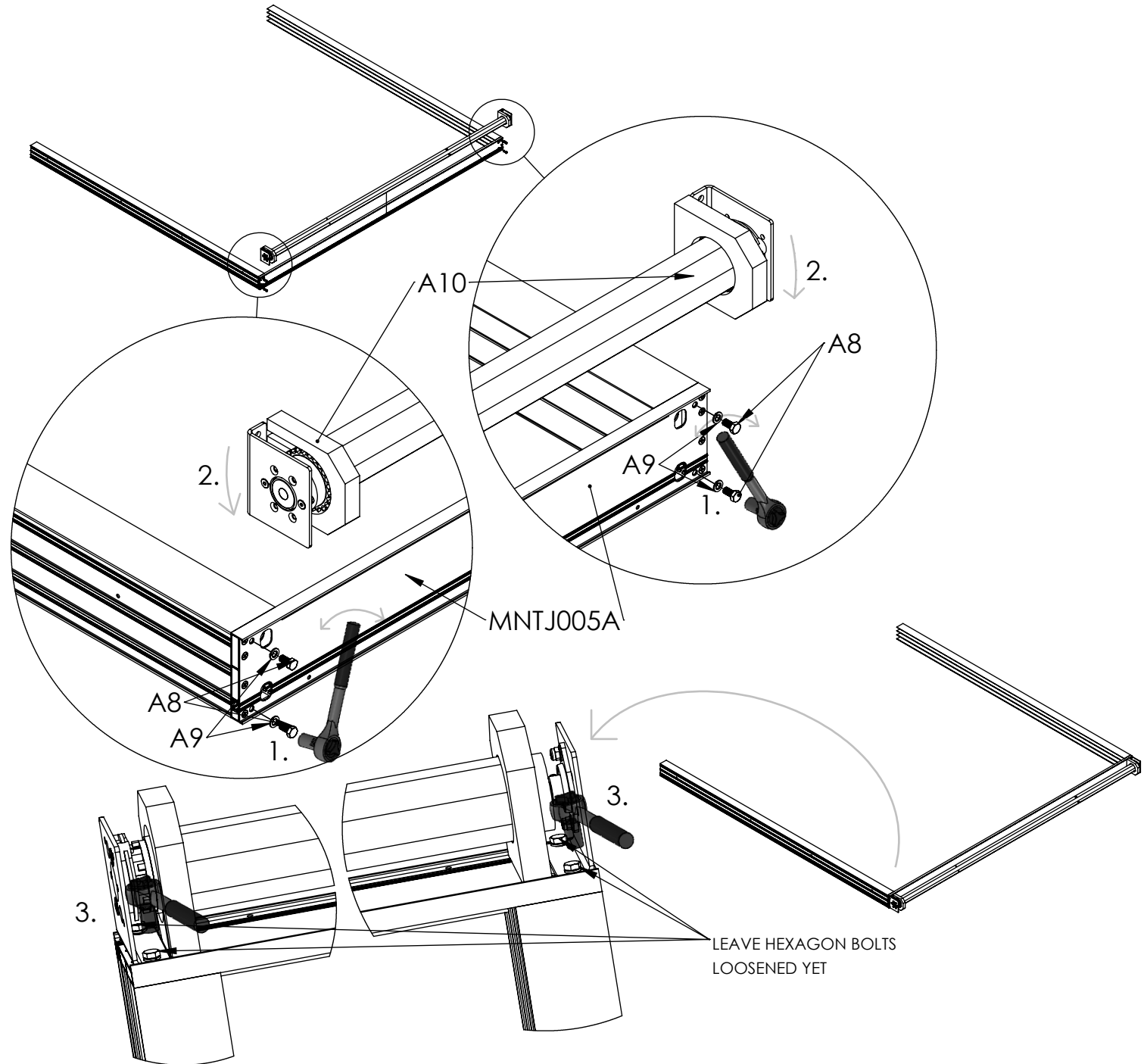
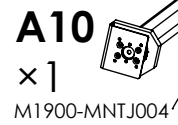
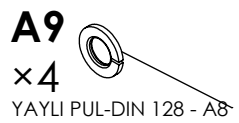
M 1 9 1 0

MNTJ006



MNTJ005A

× 1



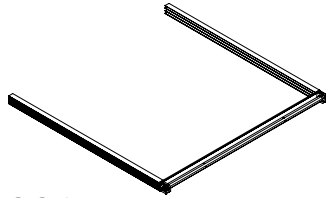


SCHILDR

MOTORIZED SASH WINDOW SYSTEM
INSTALLATION MANUAL

M 1 9 1 0

MNTJ007 A



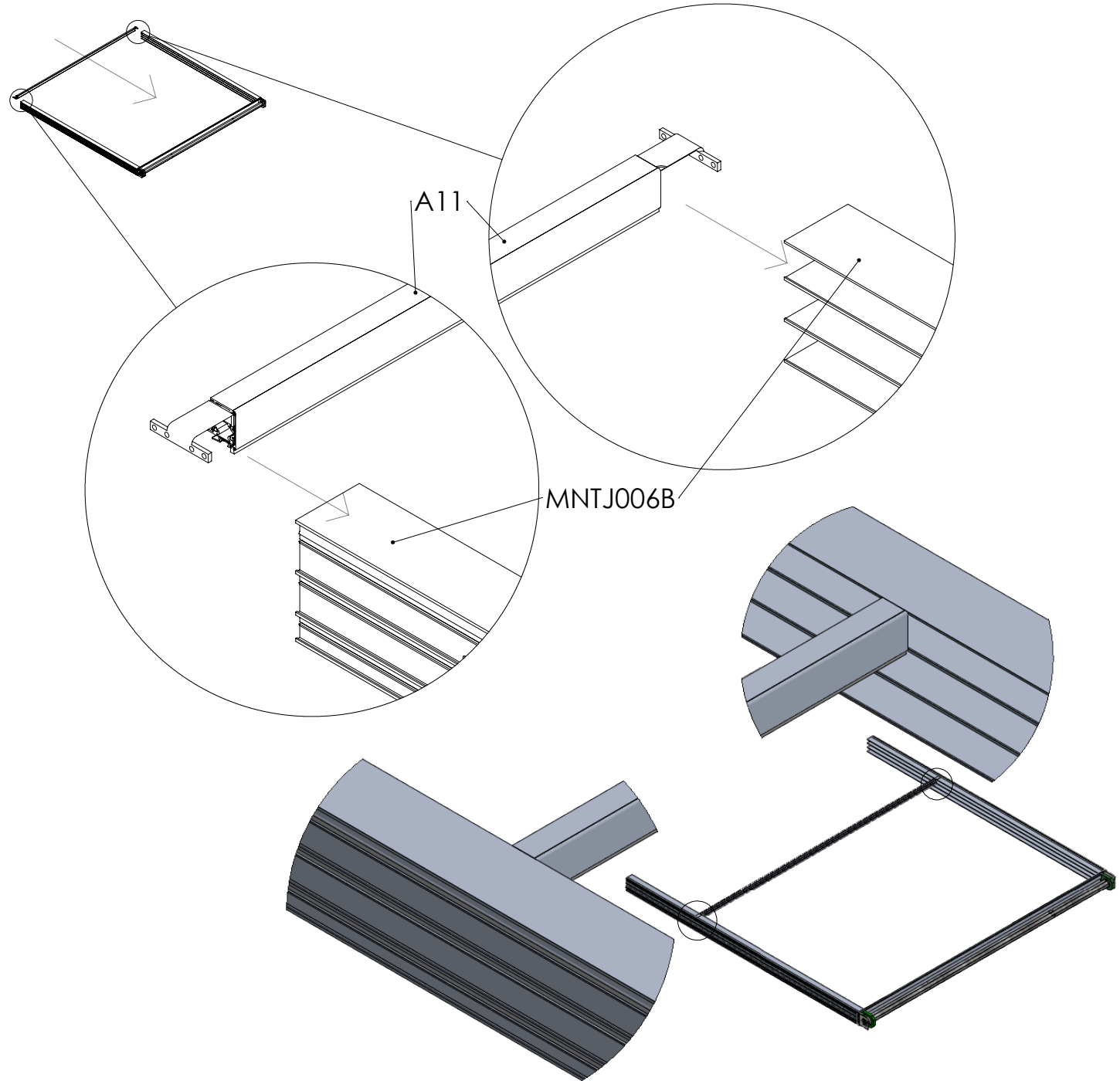
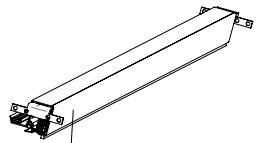
MNTJ006B

× 1

A11

× 1

M1900-MNTJ003



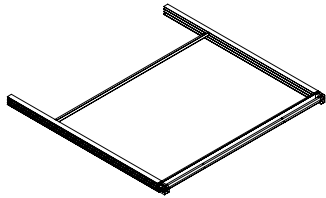


SCHILDR

MOTORIZED SASH WINDOW SYSTEM
INSTALLATION MANUAL

M 1 9 1 0

MNTJ007 B



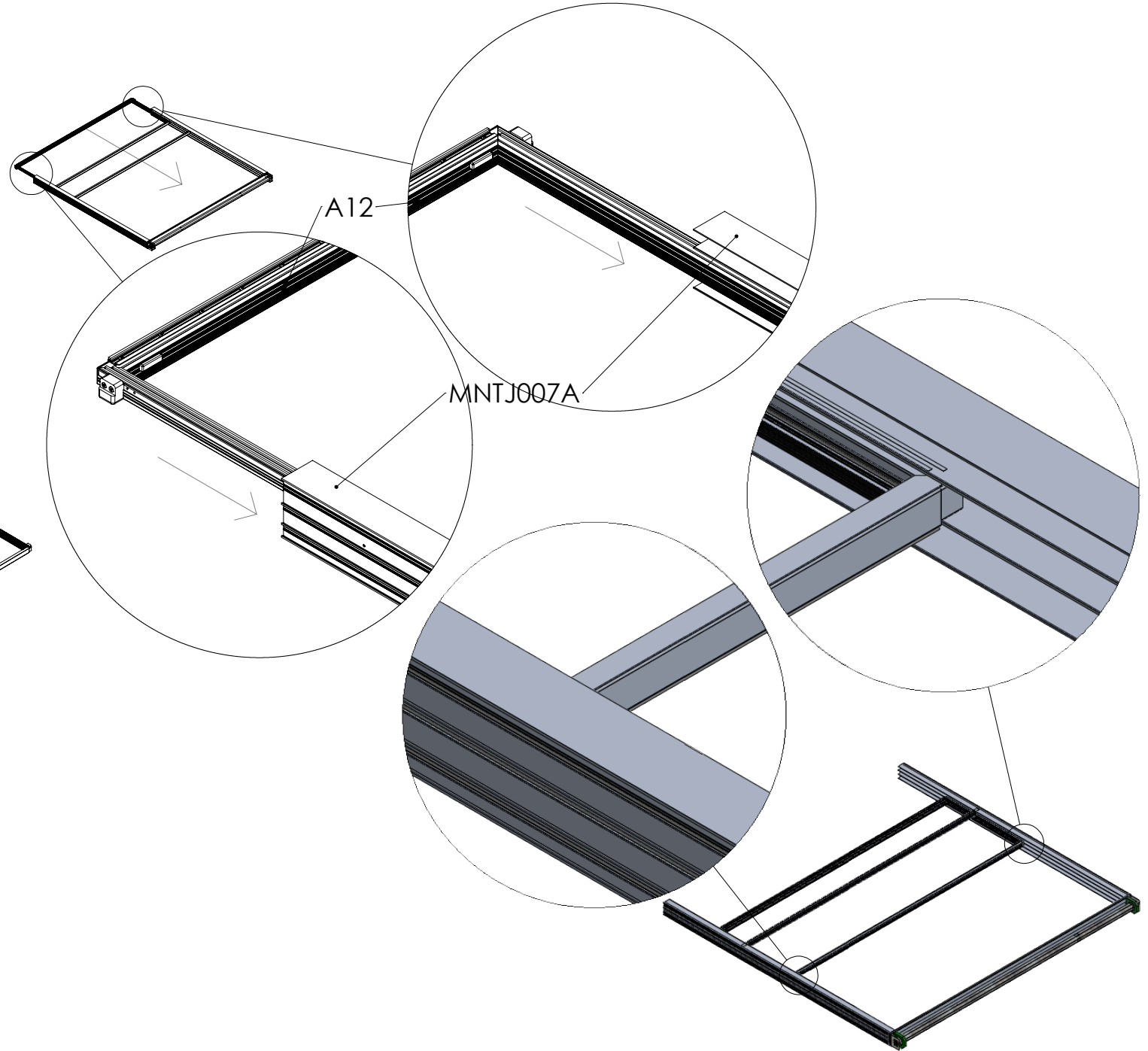
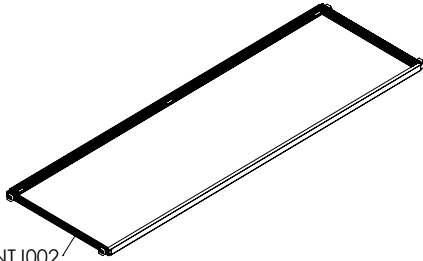
MNTJ007A

× 1

A12

× 1

M1900-MNTJ002

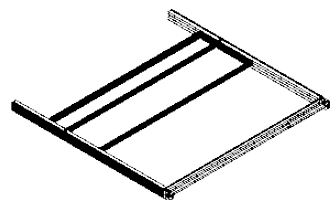




MOTORIZED SASH WINDOW SYSTEM
INSTALLATION MANUAL

M 1 9 1 0

MNTJ007 C



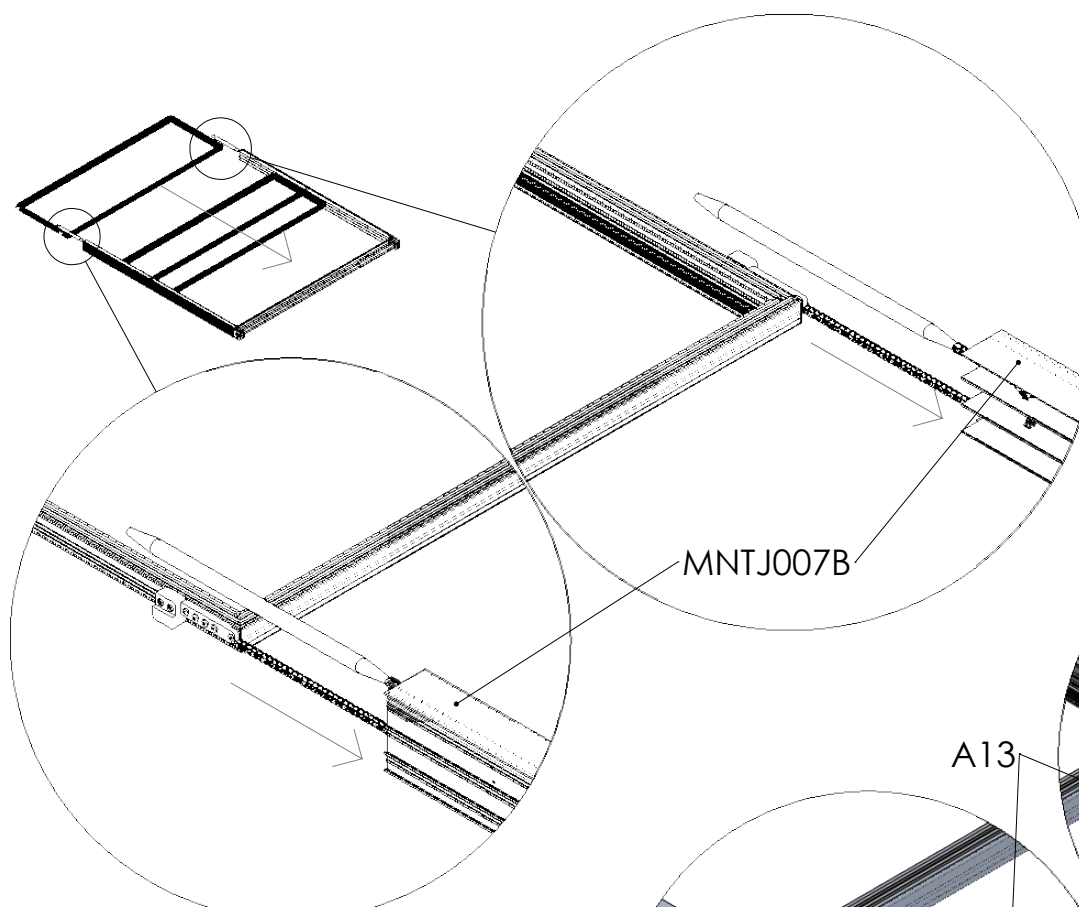
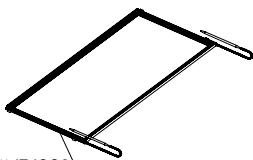
MNTJ007B

× 1

A13

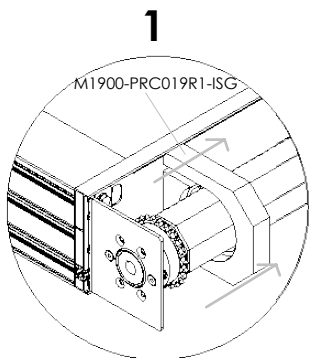
× 1

M1900-MNTJ001



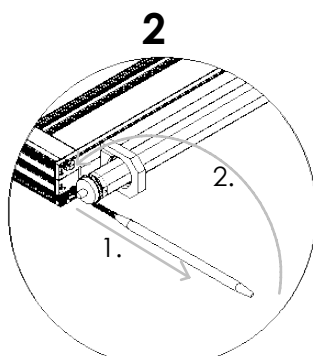
MNTJ007B

A13



1

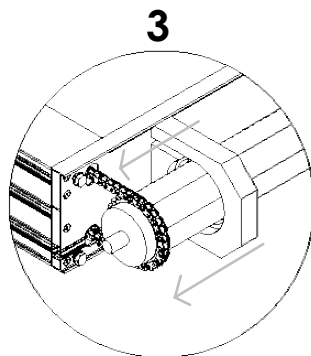
M1900-PRC019R1-ISG



2

2.

1.

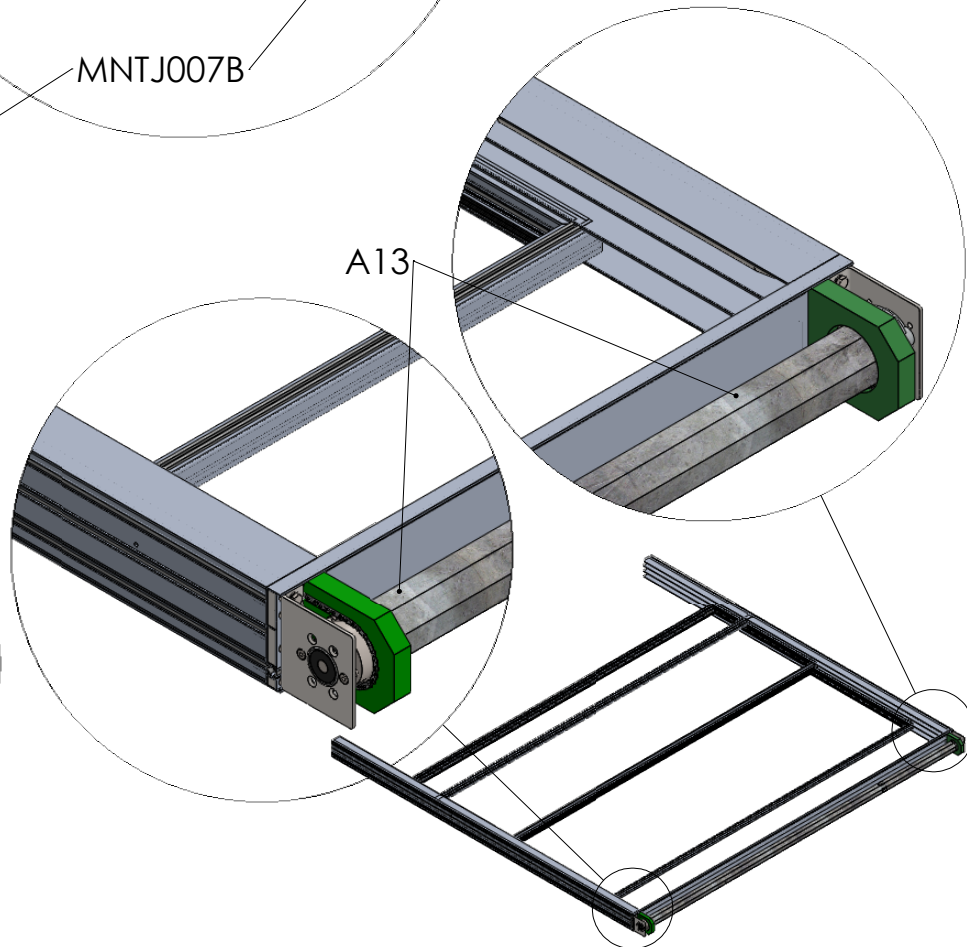


3

MOVE **M1900-PRC019s**
TO SIDES TO REVEAL
SPROCKET WHEEL

MAKE THE CHAIN OF
A13 PASS THROUGH
HOLES IN UPPER FRAME

INSTALL CHAIN TO
SPROCKET, THEN MOVE
M1900-PRC019s BACK
AND TIGHTEN **A8s**.

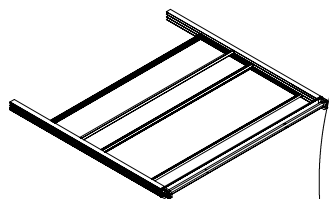




MOTORIZED SASH WINDOW SYSTEM
INSTALLATION MANUAL

M 1 9 1 0

MNTJ007 D



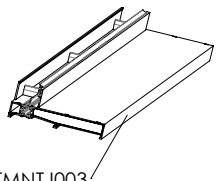
MNTJ007C

× 1

A14

× 1

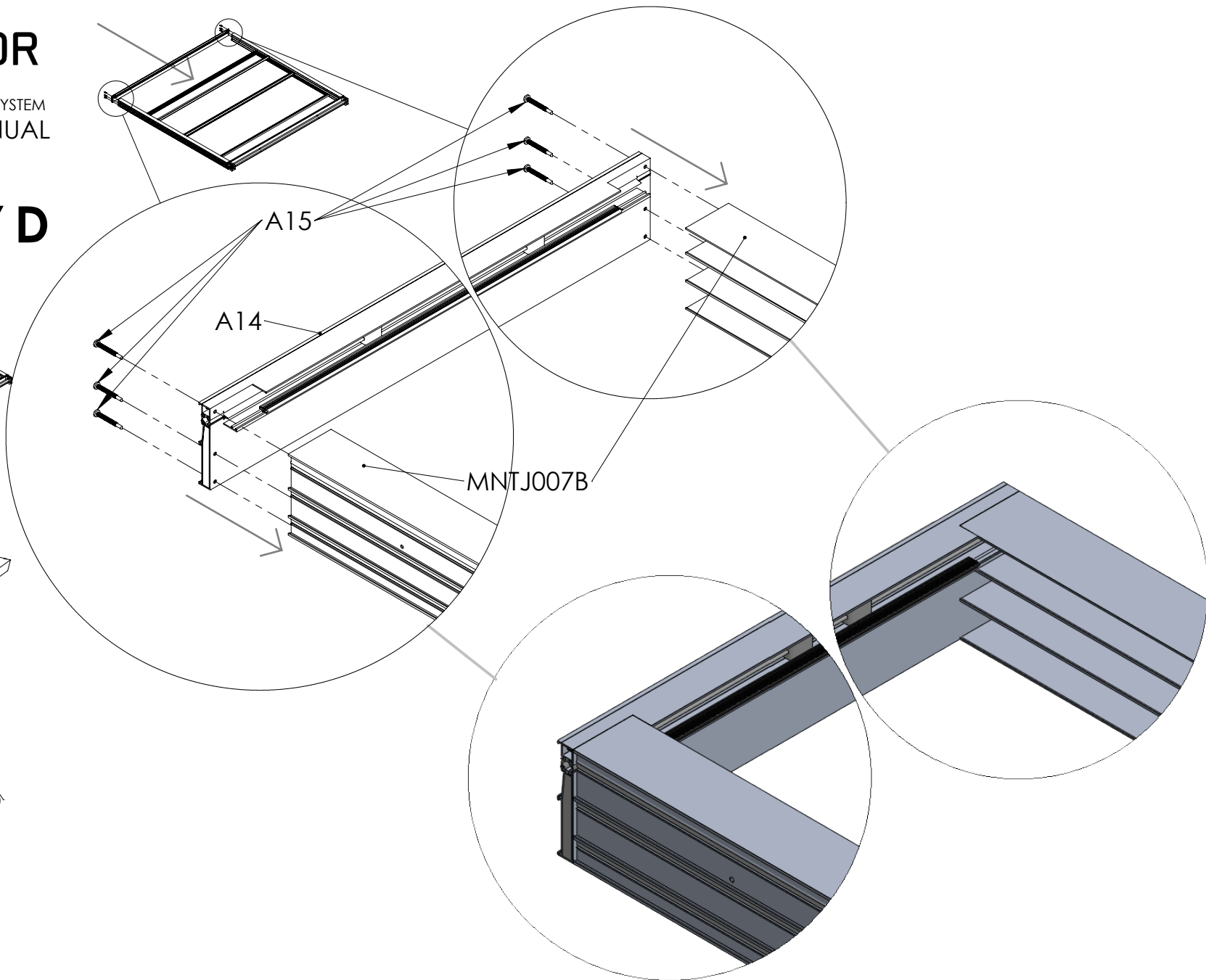
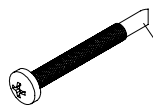
M1900-ALTMNTJ003



A15

× 1

YSB-MU-VÍDA-DIN7504-N-4.8X50

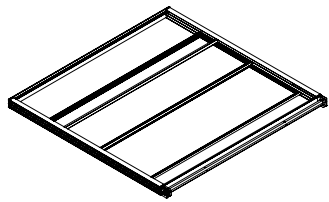




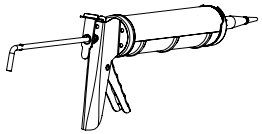
MOTORIZED SASH WINDOW SYSTEM
INSTALLATION MANUAL

M 1 9 1 0

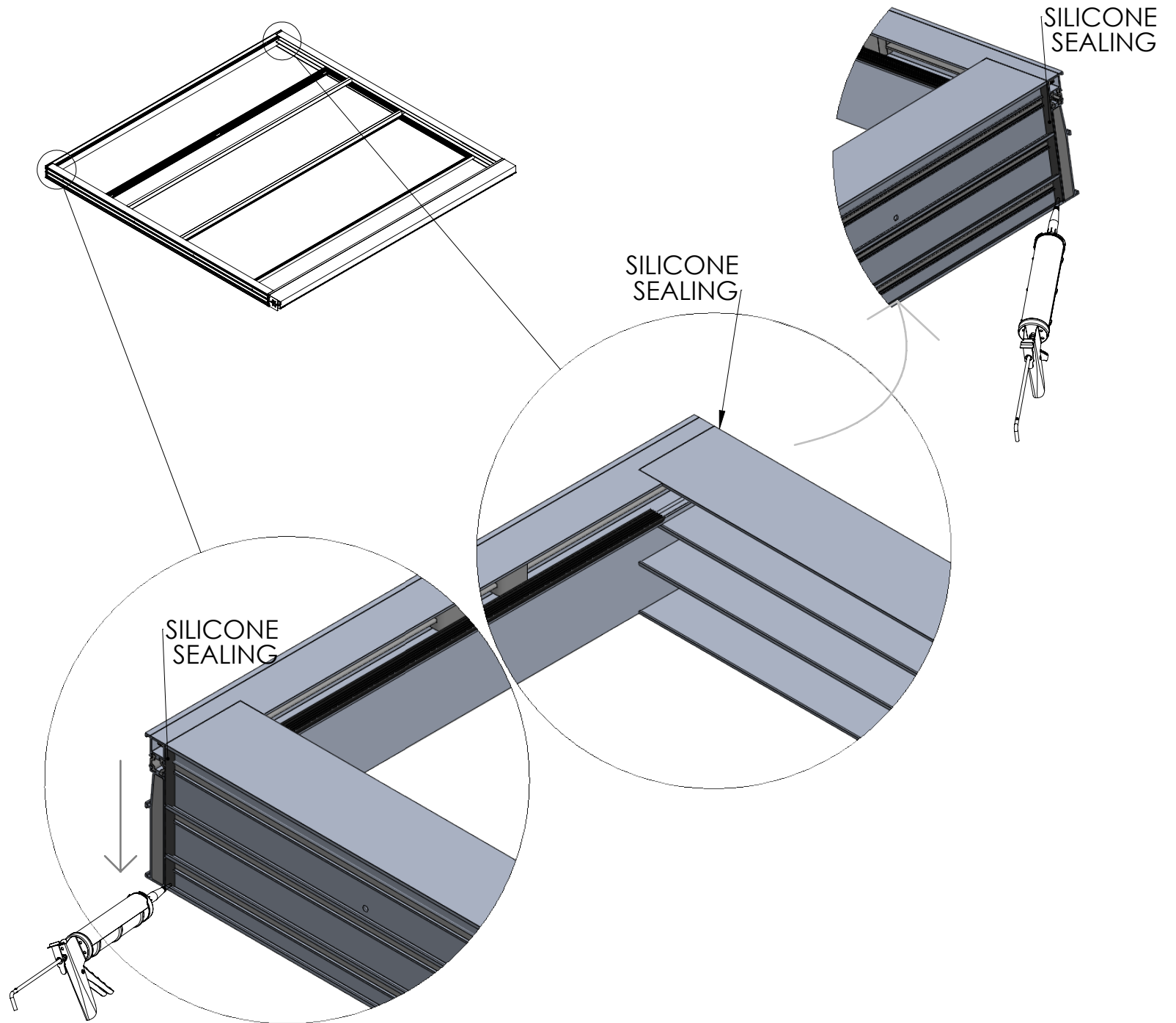
MNTJ007 E



MNTJ007D
× 1



SILICONE GUN
× 1

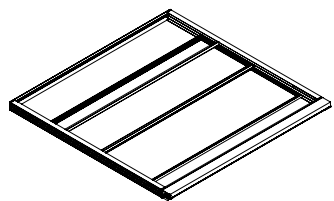




MOTORIZED SASH WINDOW SYSTEM
INSTALLATION MANUAL

M 1 9 1 0

MNTJ007 F



MNTJ007E

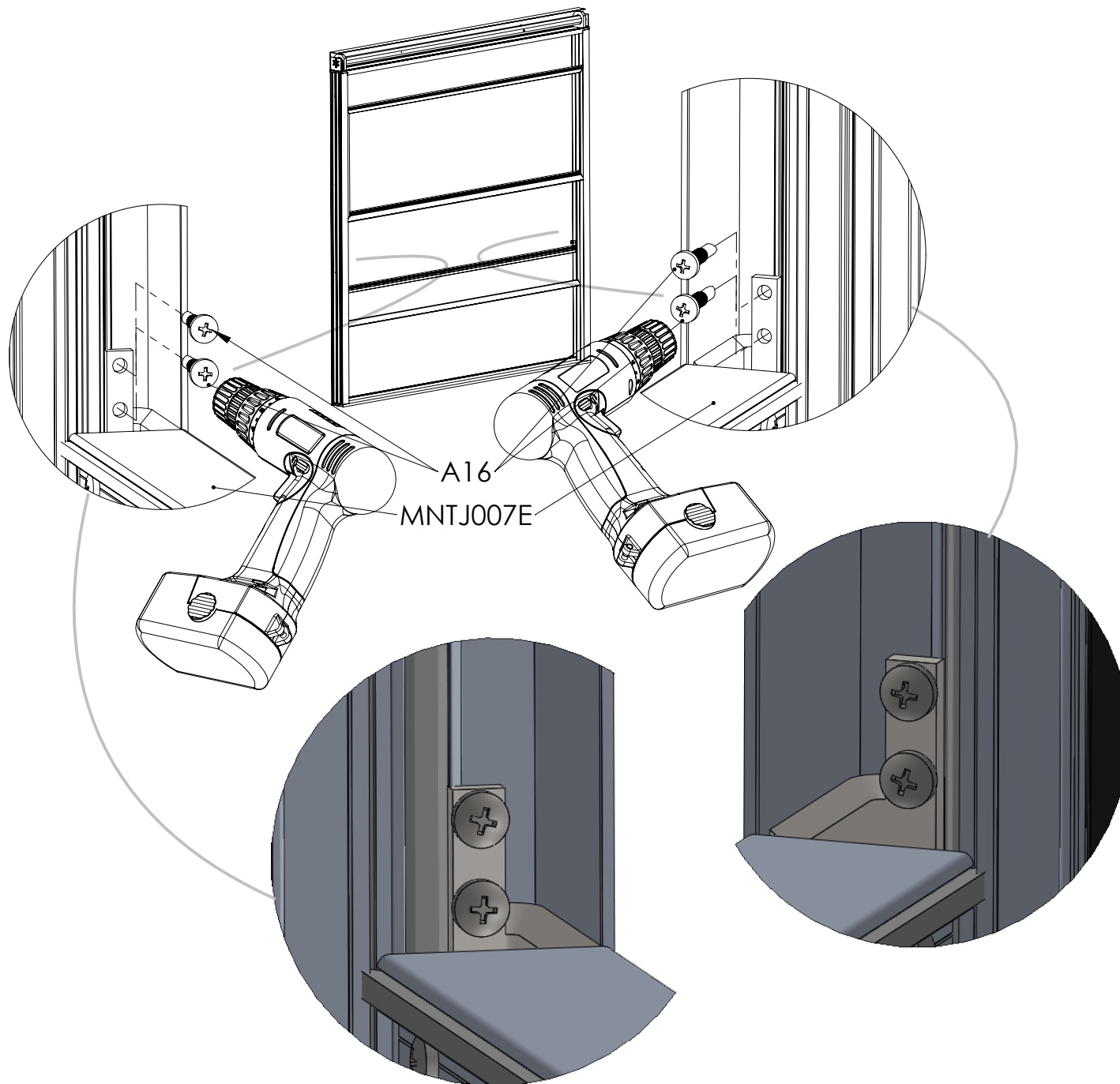
× 1

A16

× 4



YSB MU-DIN7504-N 4.8X25

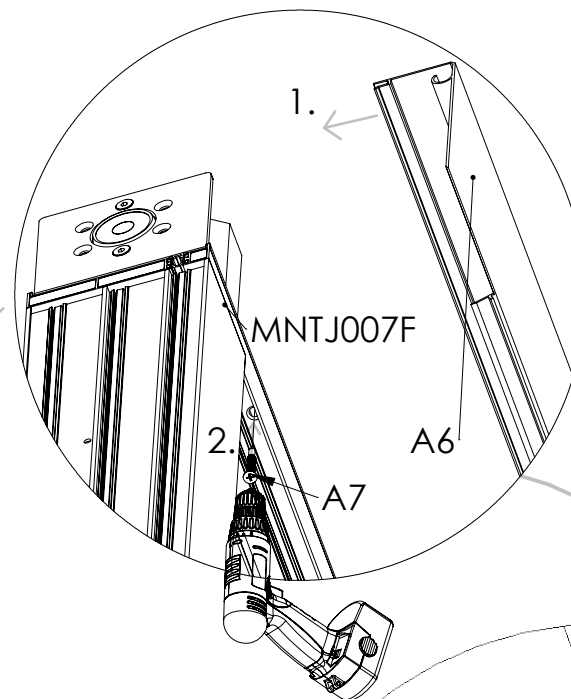
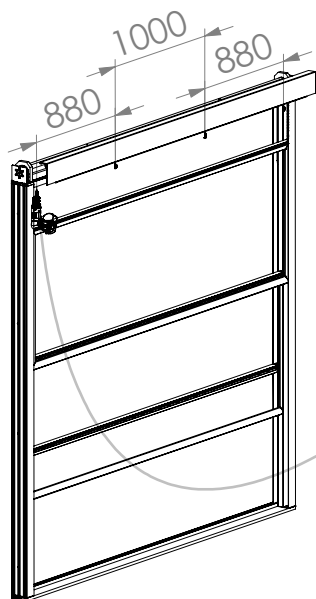
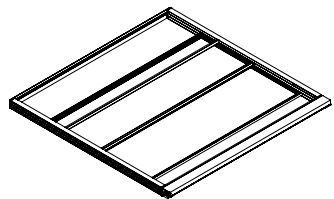




MOTORIZED SASH WINDOW SYSTEM
INSTALLATION MANUAL

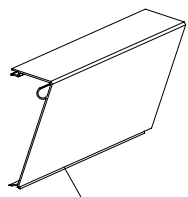
M 1 9 1 0

MNTJ007 G



MNTJ007F

× 1



A6

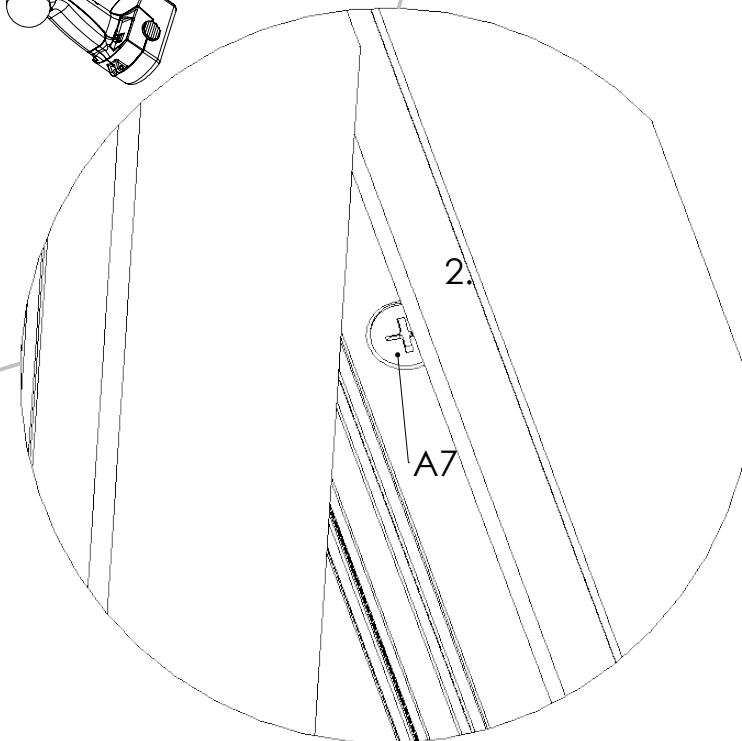
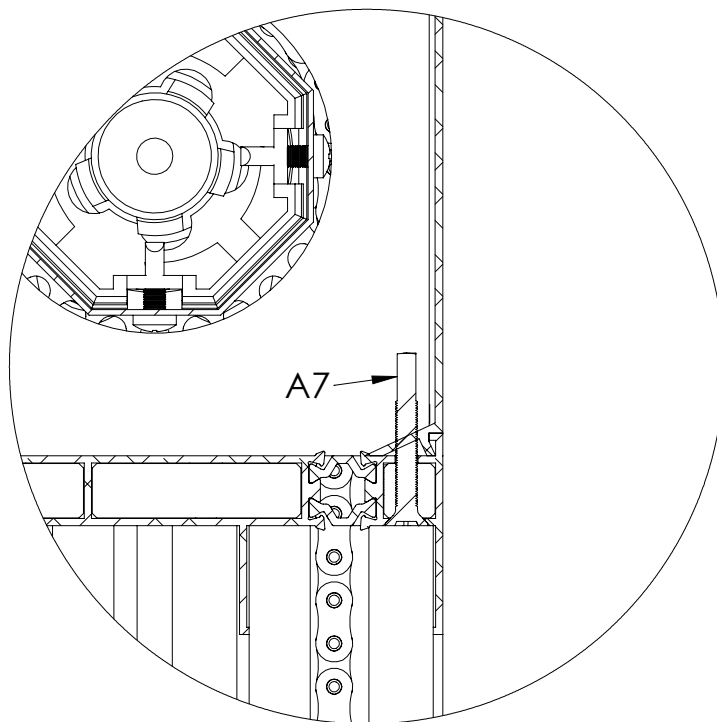
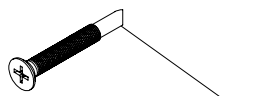
× 1

M1900-GP204-001

A7

× 4

YHB-MU-VÍDA-DIN7504-N ST4,8x38

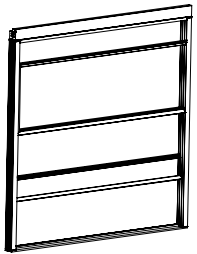




MOTORIZED SASH WINDOW SYSTEM
INSTALLATION MANUAL

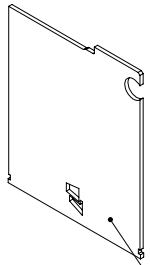
M 1 9 1 0

MNTJ007 H



MNTJ007G

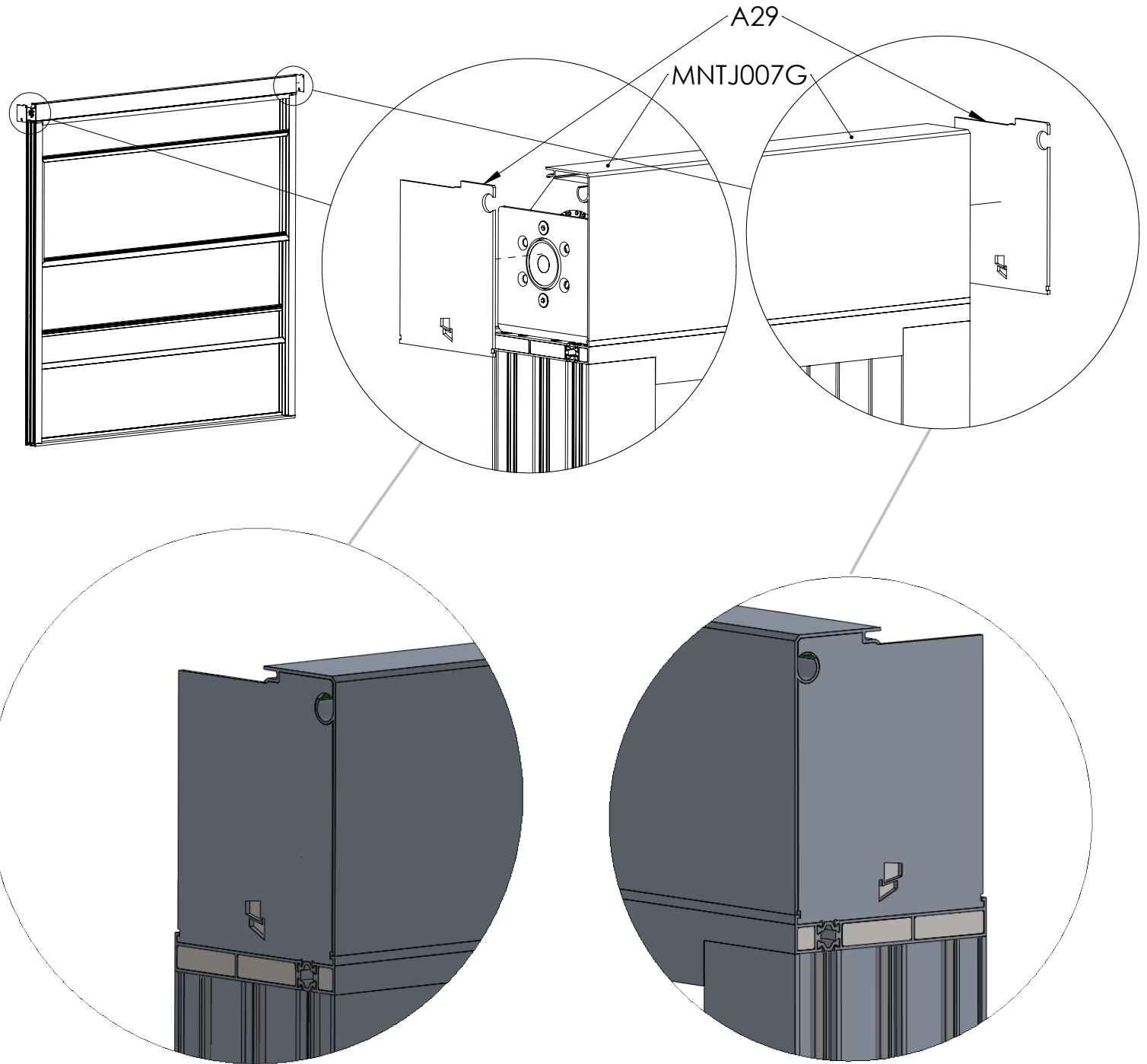
×1



A29

×2

M1900-PRC022



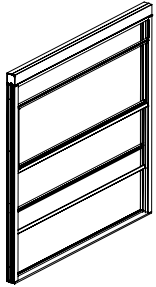


SCHILDR

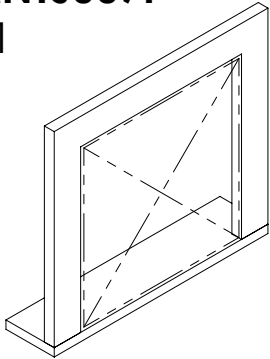
MOTORIZED SASH WINDOW SYSTEM
INSTALLATION MANUAL

M 1 9 1 0

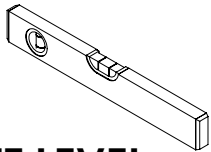
KRLM001 A



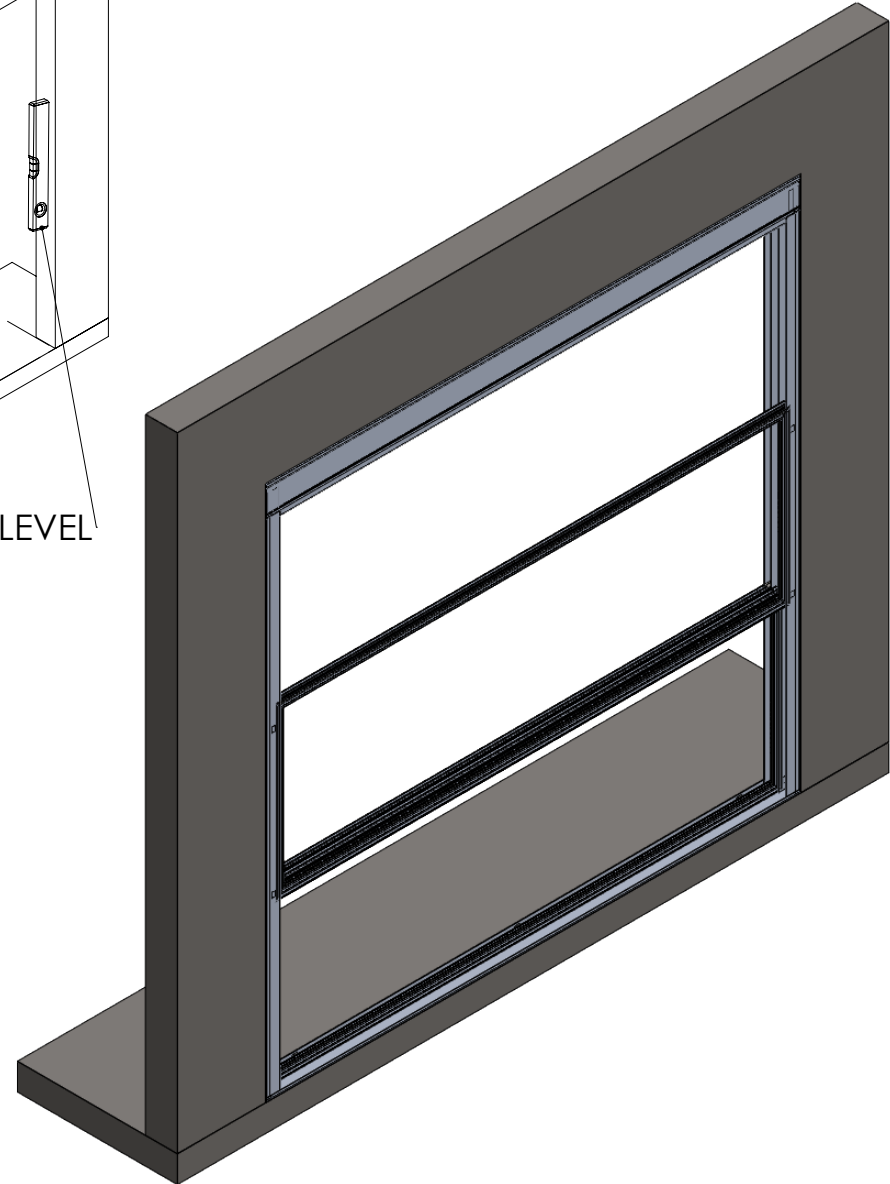
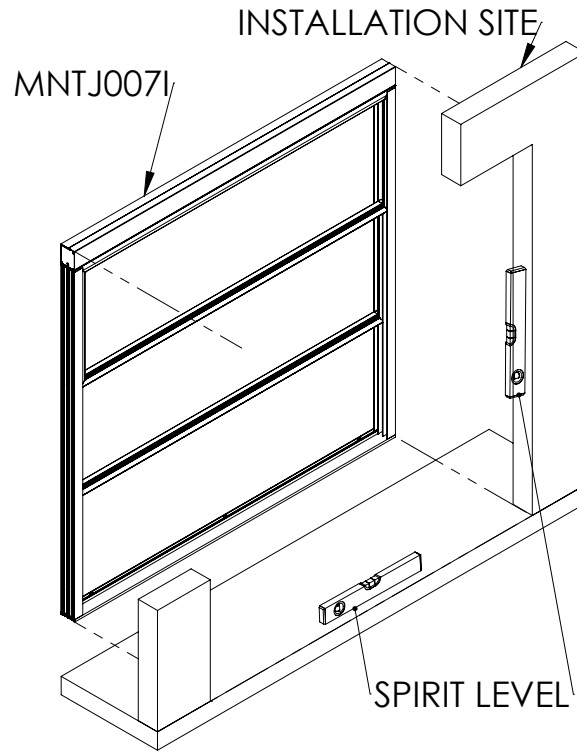
MNTJ0071
× 1



INSTALLATION SITE



SPIRIT LEVEL

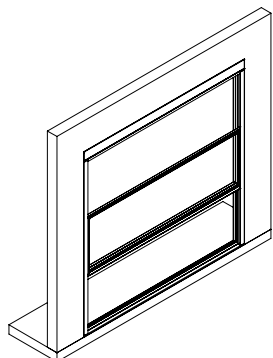




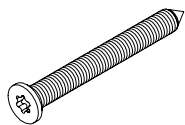
MOTORIZED SASH WINDOW SYSTEM
INSTALLATION MANUAL

M 1 9 1 0

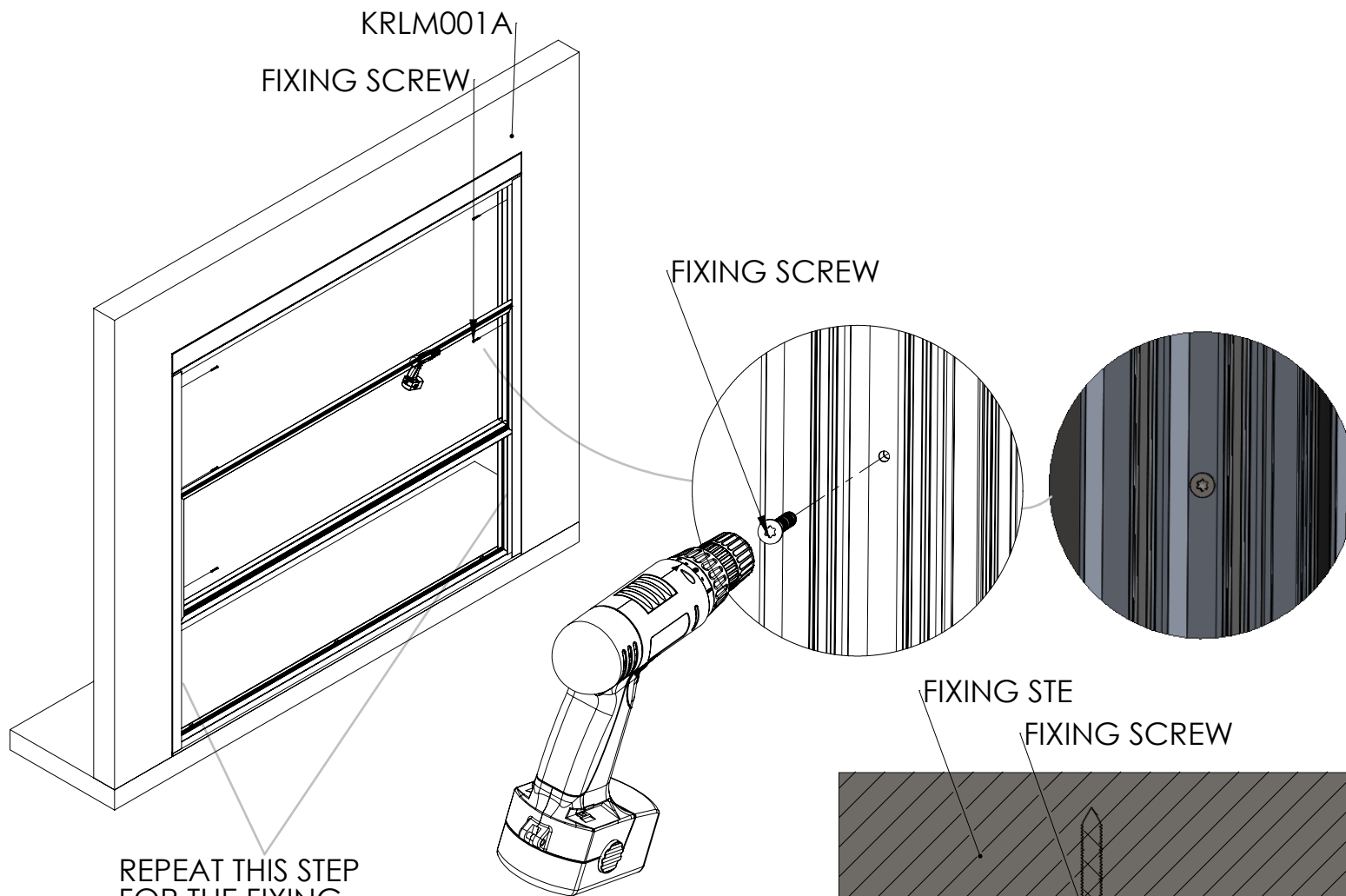
KRLM001 B



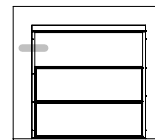
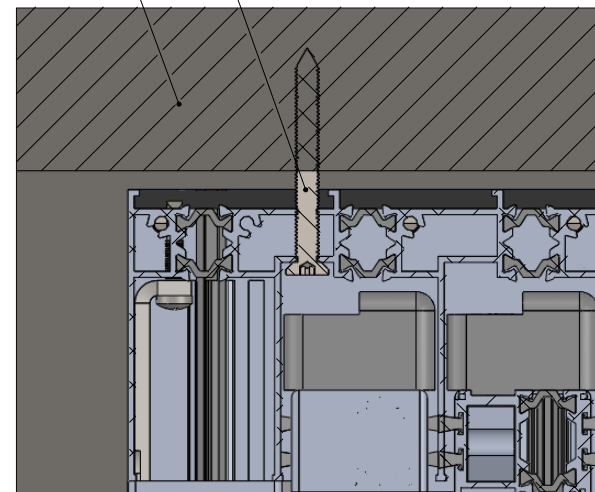
KRLM001A
× 1



FIXING SCREW
× 8



REPEAT THIS STEP
FOR THE FIXING
SCREW BEHIND
MOVABLE THE
SASH

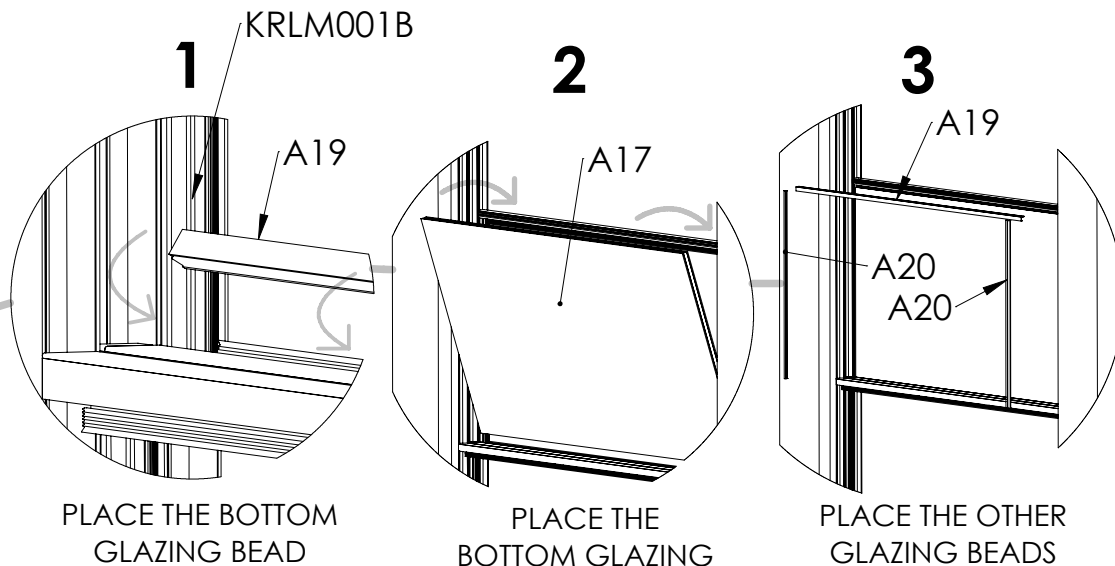
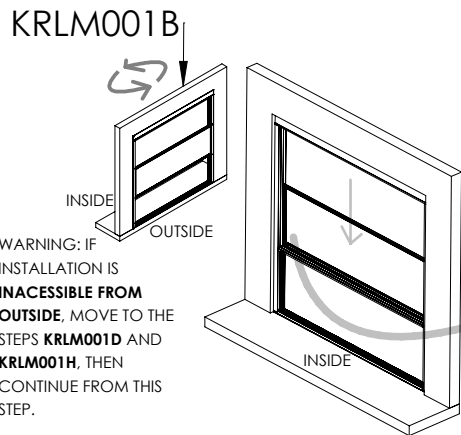
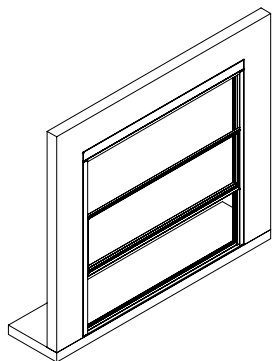




MOTORIZED SASH WINDOW SYSTEM
INSTALLATION MANUAL

M 1 9 1 0

KRLM001 C



KRLM001B

× 1

A17

× 2

M1900-ISICAM-002

A19

× 4

M1910-GP312-002

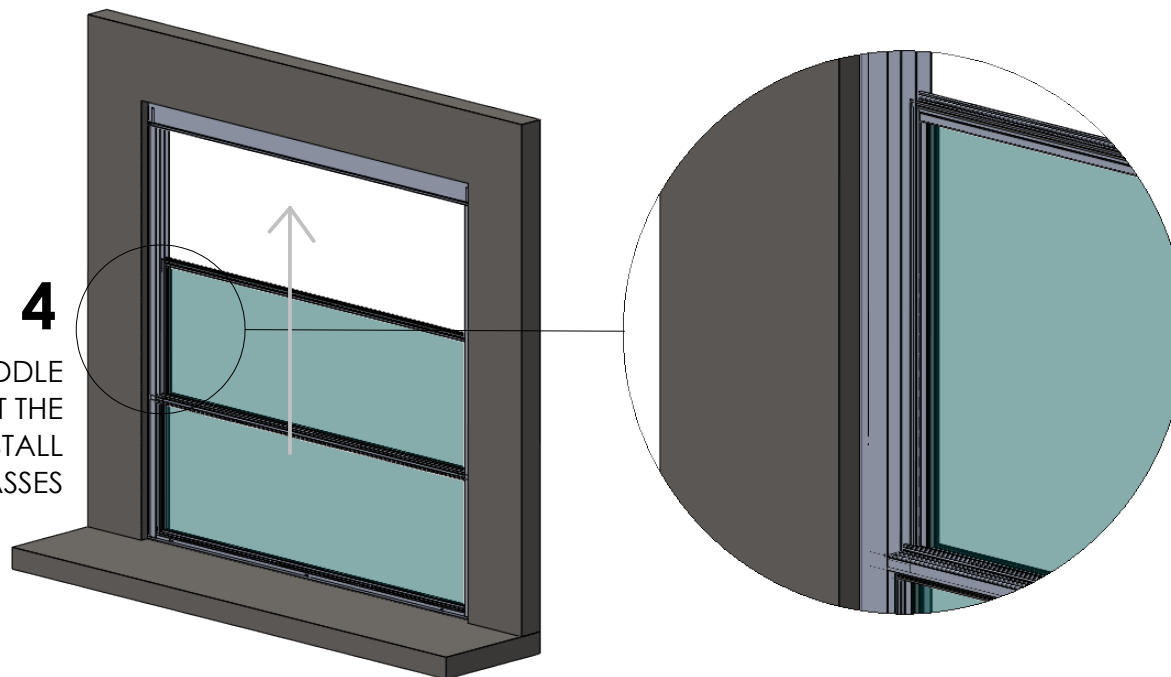
A20

× 4

M1910-GP312-003

4

MOVE UP THE MIDDLE SASH AND REPEAT THE STEPS 1, 2 & 3 TO INSTALL THE MOVING GLASSES

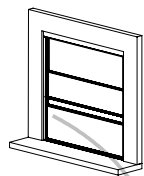
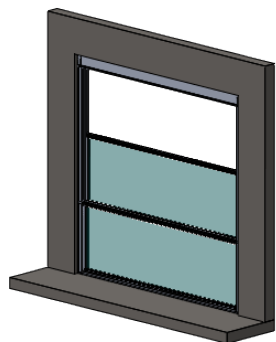




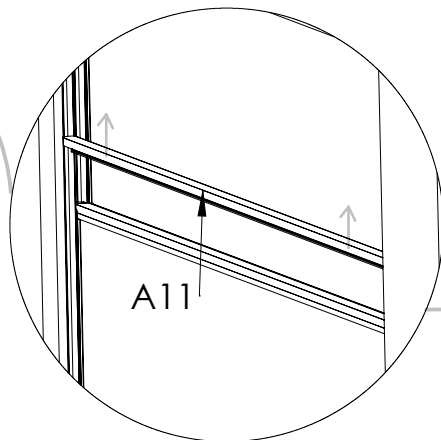
MOTORIZED SASH WINDOW SYSTEM
INSTALLATION MANUAL

M 1 9 1 0

KRLM001 D

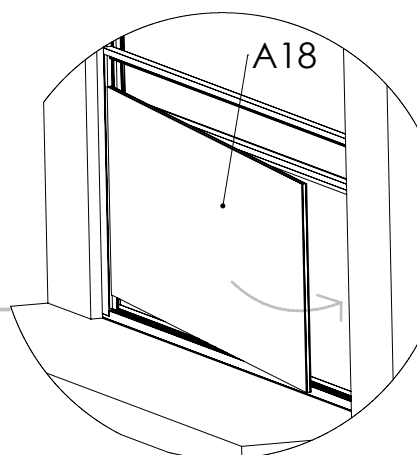


1



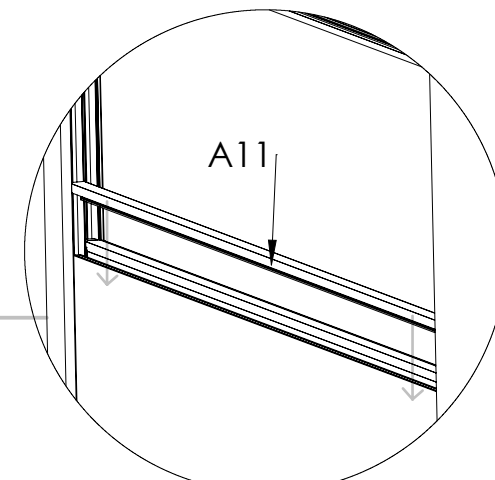
UNSCREW AND SLIGHTLY
MOVE UP **A11**

2



PLACE THE BOTTOM
GLAZING BY SLIGHTLY
TILTING

3



PLACE **A11** ON TOP OF
THE GLAZING AND
SCREW TO THE FRAME
AGAIN

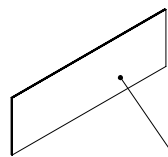
KRLM001C4

× 1

A18

× 1

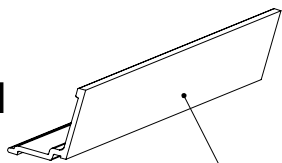
M1900-ISICAM-001



A21

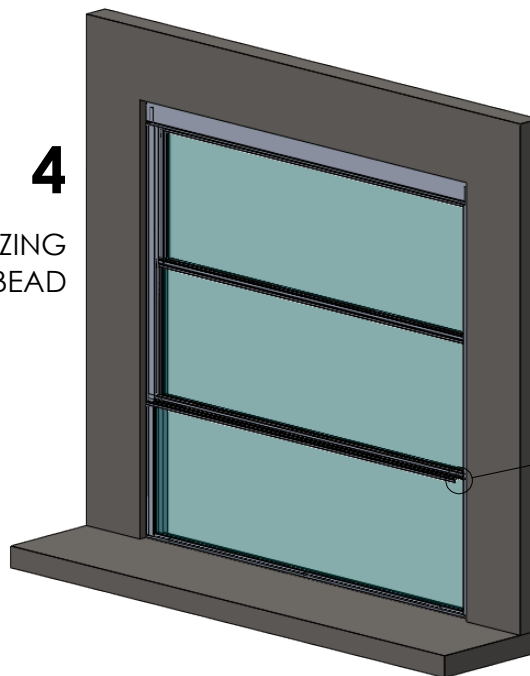
× 1

M1910-GP312-001

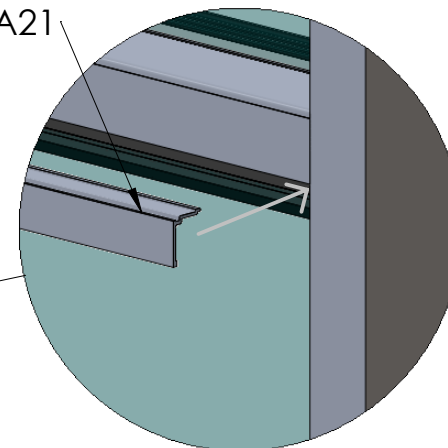


4

PLACE THE GLAZING
BEAD



A21

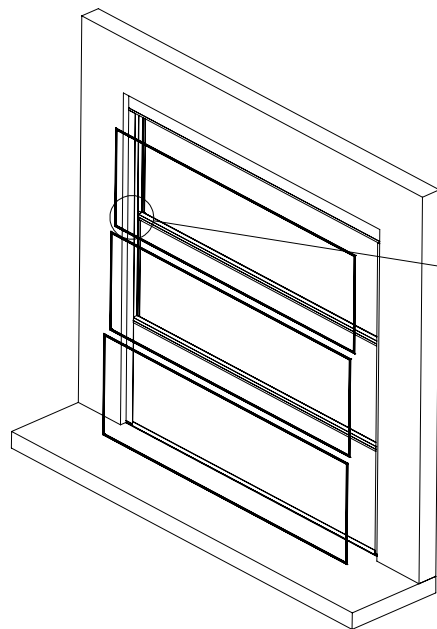
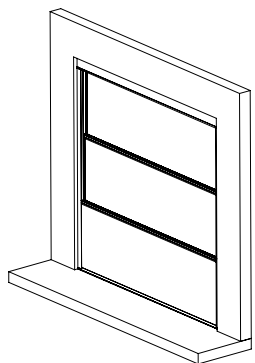




MOTORIZED SASH WINDOW SYSTEM
INSTALLATION MANUAL

M 1 9 1 0

KRLM001 E



A22

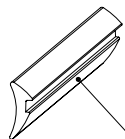
KRLM001D4

KRLM001D4

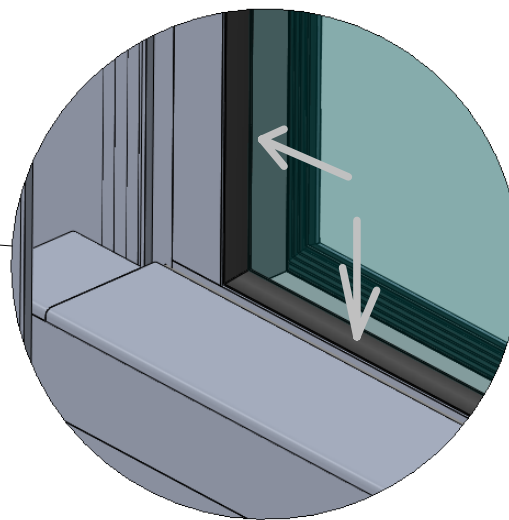
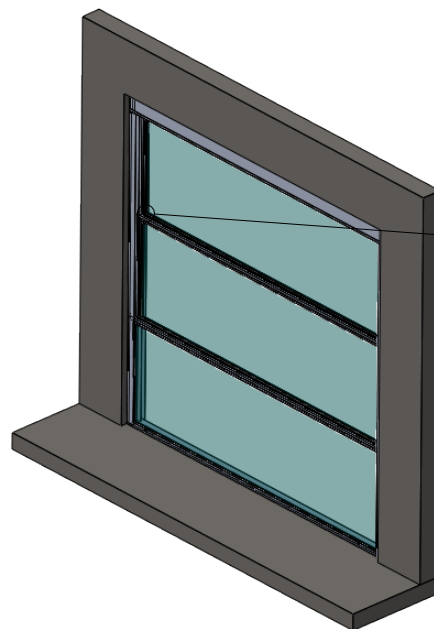
× 1

A22

× 1



EPDM212138
(3mm KAMA FITL)

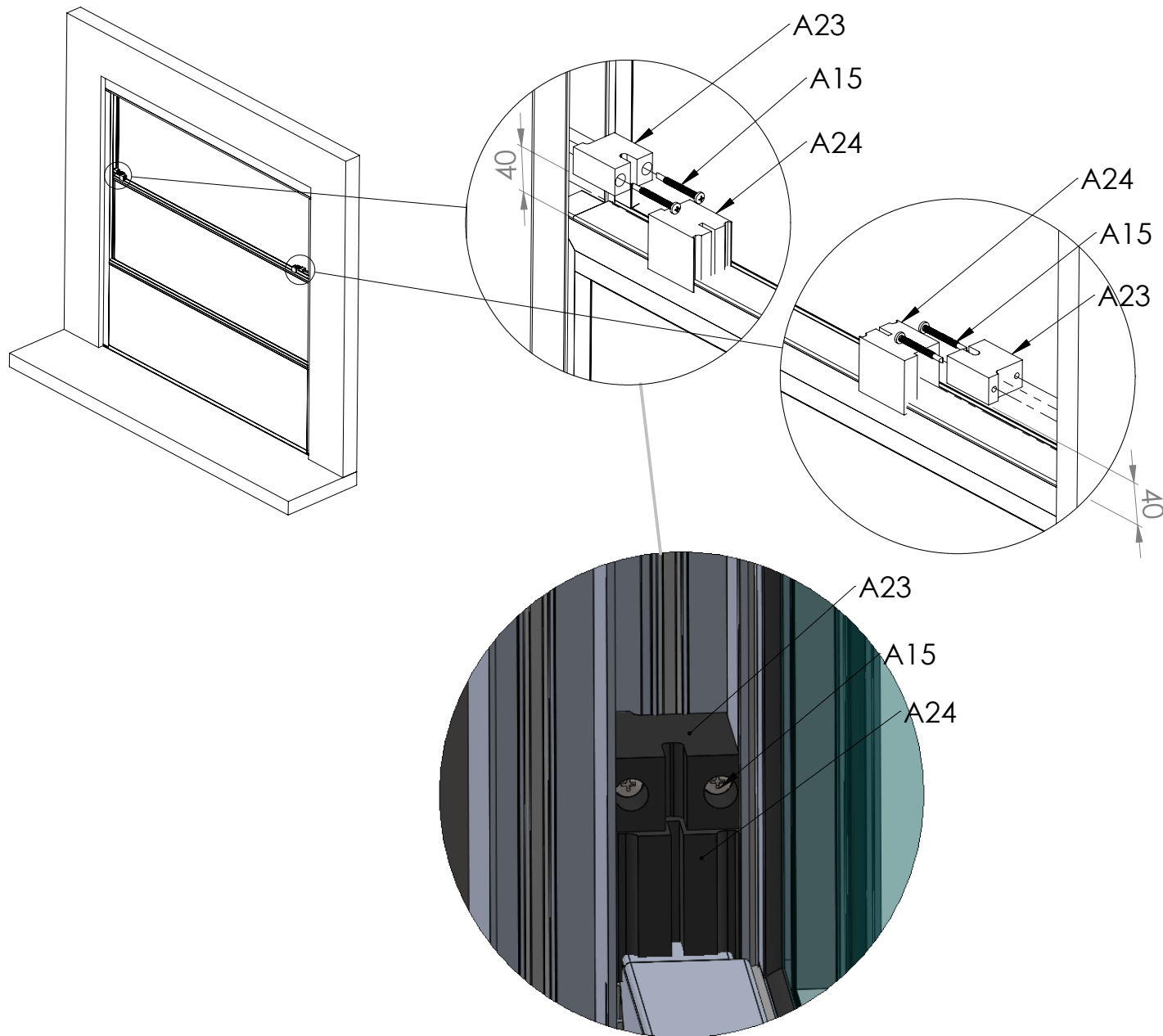
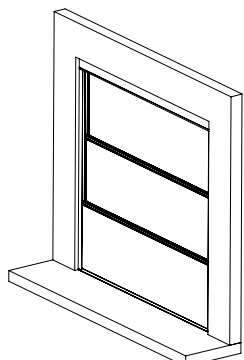




MOTORIZED SASH WINDOW SYSTEM
INSTALLATION MANUAL

M 1 9 1 0

KRLM001 F



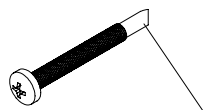
KRLM001E1

×1

A15

×4

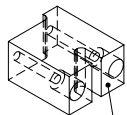
YSB-MU-VÍDA-DIN7504-N-4.8X50



A23

×2

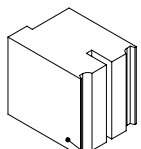
M1900-PRC025



A24

×2

M1900-PRC018

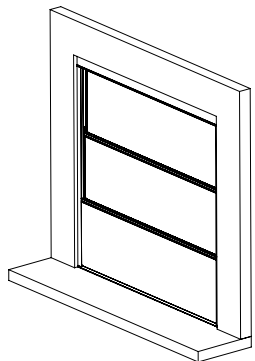




MOTORIZED SASH WINDOW SYSTEM
INSTALLATION MANUAL

M 1 9 1 0

KRLM001 G



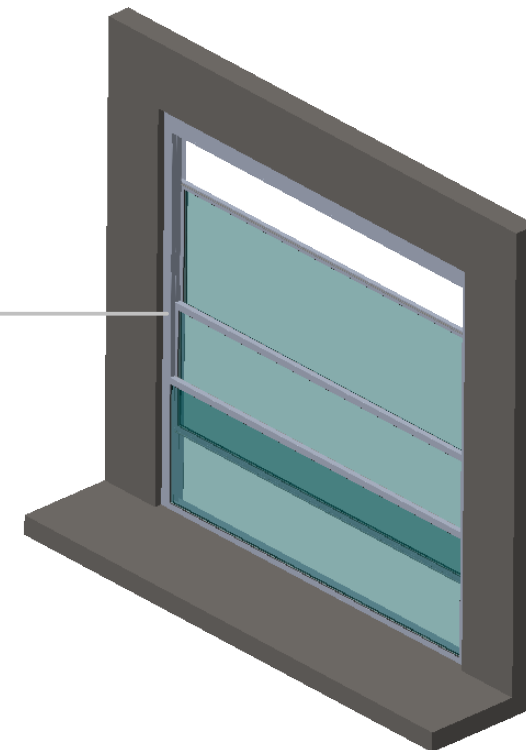
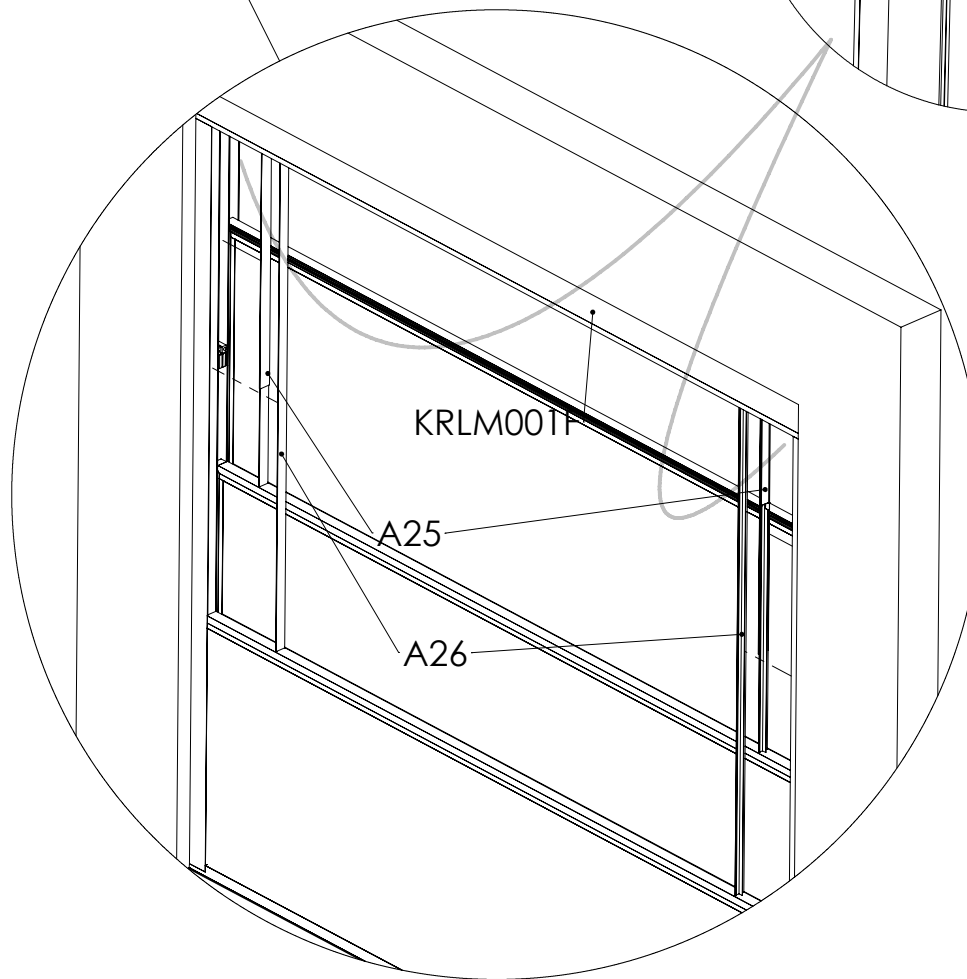
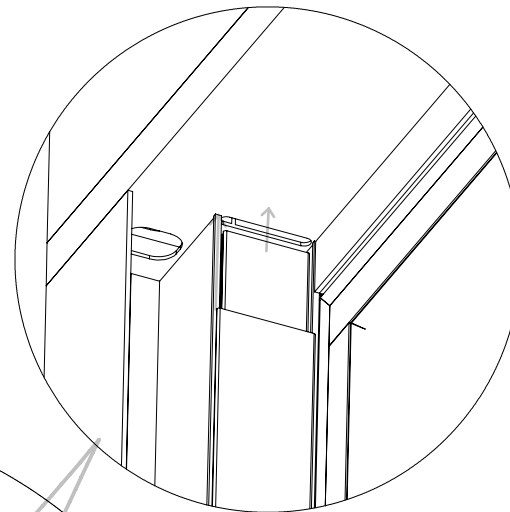
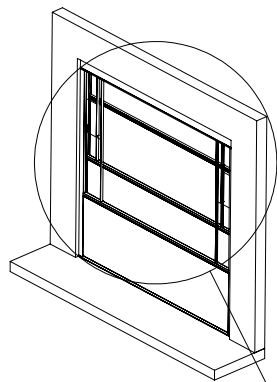
KRLM001F
×1

A25
×2

M1900-ALTMNTJ004

A26
×2

M1900-GP211-001

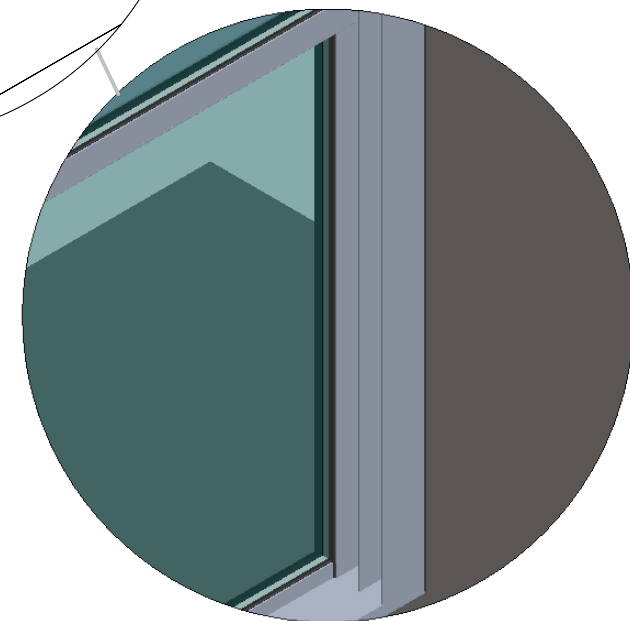
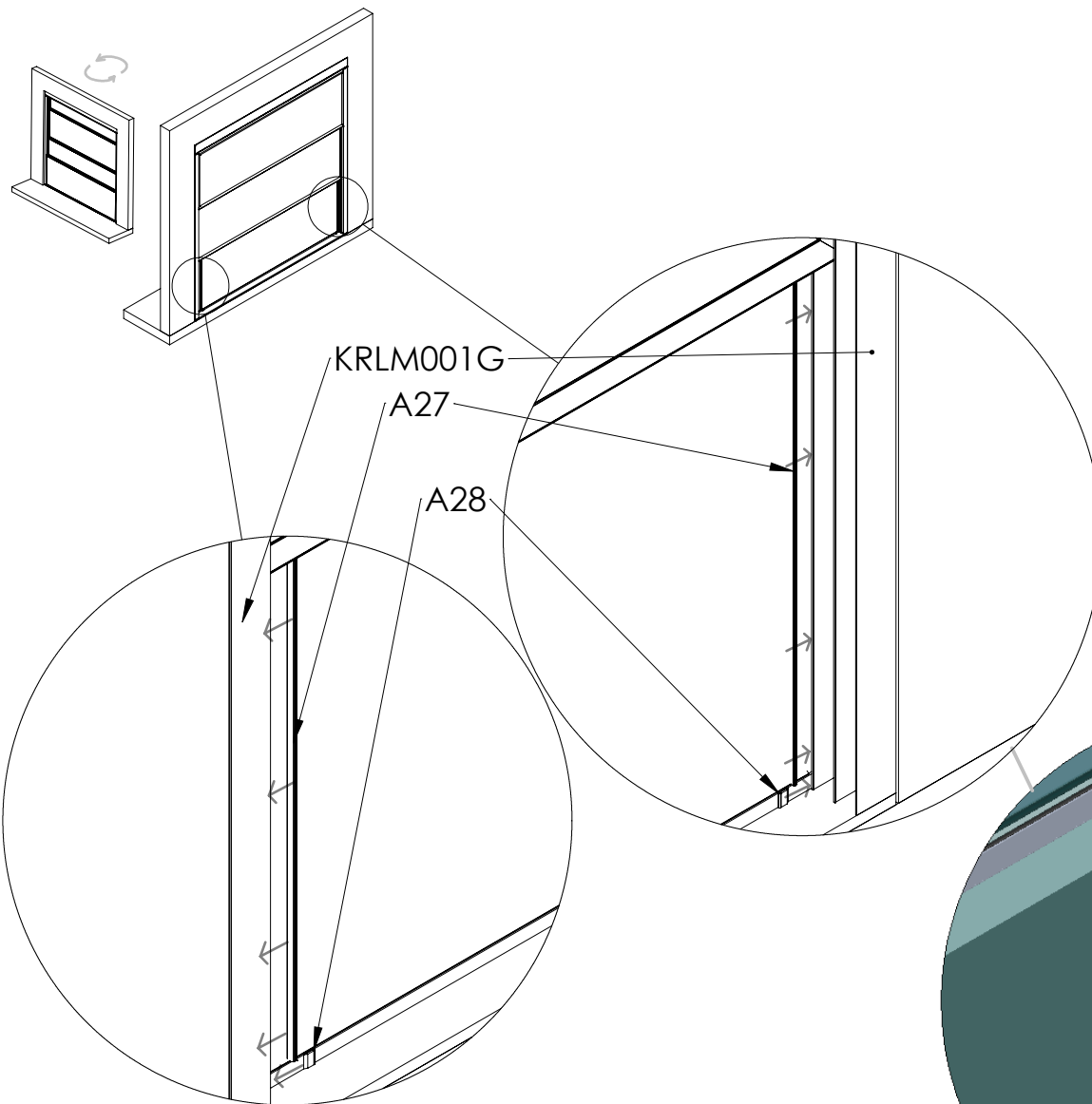




MOTORIZED SASH WINDOW SYSTEM
INSTALLATION MANUAL

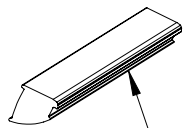
M 1 9 1 0

KRLM001 H



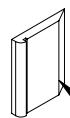
KRLM001G
×1

A27
×1



EPDM1910002
(9mm KAMA FITIL)

A28
×2



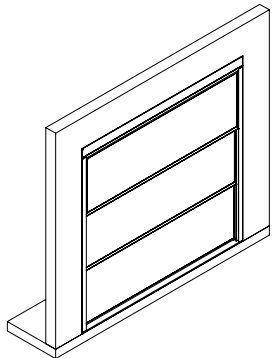
M1900-PRC024



MOTORIZED SASH WINDOW SYSTEM
INSTALLATION MANUAL

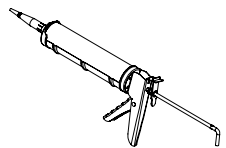
M 1 9 1 0

KRLM001 I



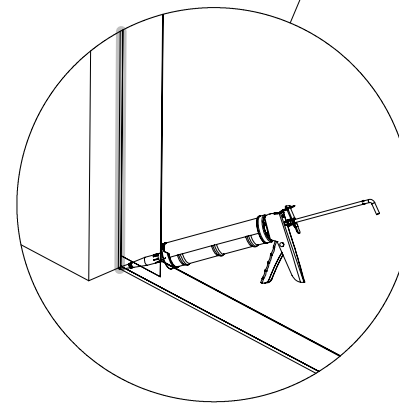
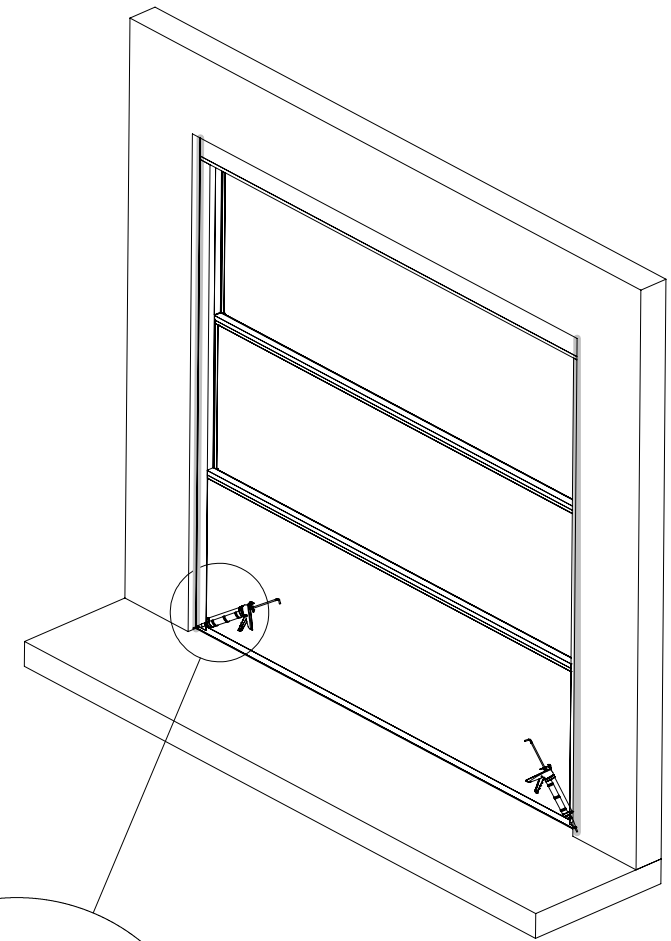
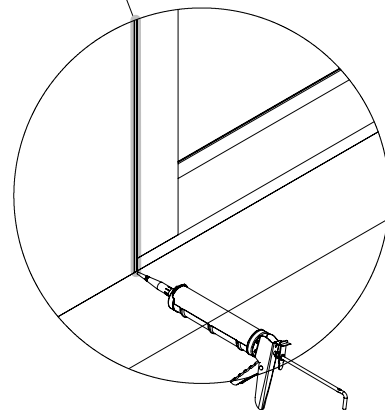
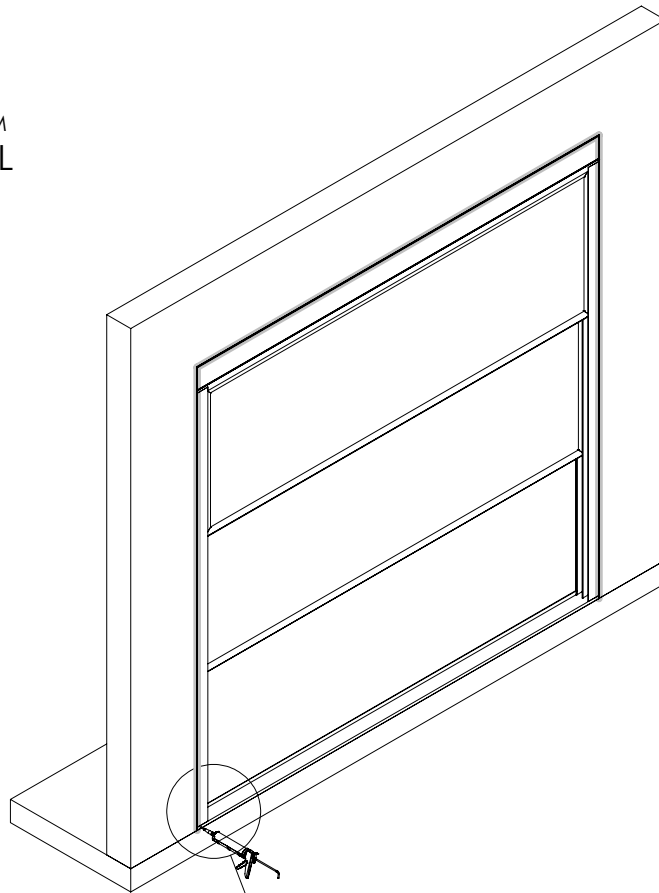
KRLM001H

× 1



SILICONE GUN

× 1





MOTORIZED SASH WINDOW SYSTEM
INSTALLATION MANUAL

M 1 9 1 0

KRLM001 J

MOVE THE SASHES UP
AND DOWN, MAKE
ADJUSTMENTS IF
NEEDED AND
FINALIZE THE
INSTALLATION

